



Honesty•Efficiency•Supremacy

## Hook Magnet

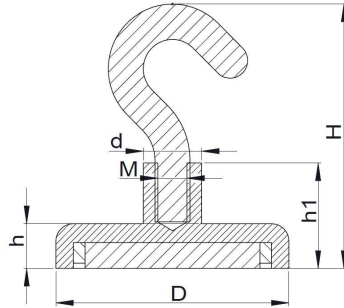


厦门顶磁磁业有限公司

XIAMEN KINGS MAGNET CO., LTD

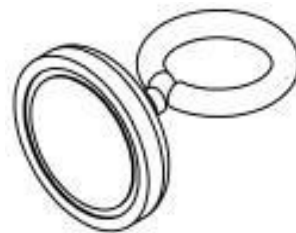
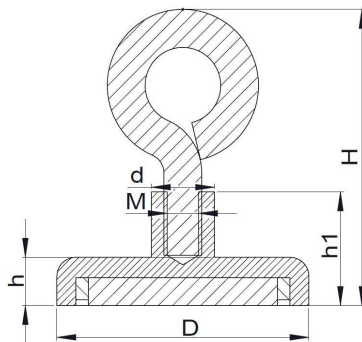
# Hook Magnet

## 1. Neodymium hook magnet, with hook, nickel coating



| Model    | D(mm) | d(mm) | M   | h(mm) | h1(mm) | H(mm) | Weight(g) | Breakaway(kg) |
|----------|-------|-------|-----|-------|--------|-------|-----------|---------------|
| KM-SNE10 | 10    | 6     | M3  | 5     | 12.6   | 31.5  | 5         | 1.5           |
| KM-SNE12 | 12    | 6     | M3  | 5     | 12.6   | 31.5  | 7         | 2             |
| KM-SNE16 | 16    | 6.5   | M4  | 5     | 13.5   | 35.7  | 12        | 8             |
| KM-SNE20 | 20    | 6.5   | M4  | 7     | 15     | 37.8  | 21        | 12            |
| KM-SNE25 | 25    | 7.5   | M5  | 8     | 17     | 44.9  | 33        | 25            |
| KM-SNE32 | 32    | 10    | M6  | 8     | 18     | 47.8  | 54        | 34            |
| KM-SNE36 | 36    | 10    | M6  | 8     | 18.5   | 49.8  | 64        | 50            |
| KM-SNE42 | 42    | 10    | M6  | 8.6   | 18.8   | 50    | 93        | 72            |
| KM-LNE48 | 48    | 12    | M8  | 11    | 24     | 61    | 150       | 81            |
| KM-LNE55 | 55    | 12    | M8  | 12    | 28     | 63    | 231       | 95            |
| KM-LNE60 | 60    | 12    | M8  | 15    | 28     | 66    | 283       | 160           |
| KM-LNE70 | 70    | 17    | M10 | 17    | 34     | 84    | 531       | 200           |
| KM-LNE75 | 75    | 17    | M10 | 18    | 35     | 85    | 555       | 270           |
| KM-LNE80 | 80    | 17    | M10 | 18    | 35     | 85    | 744       | 300           |

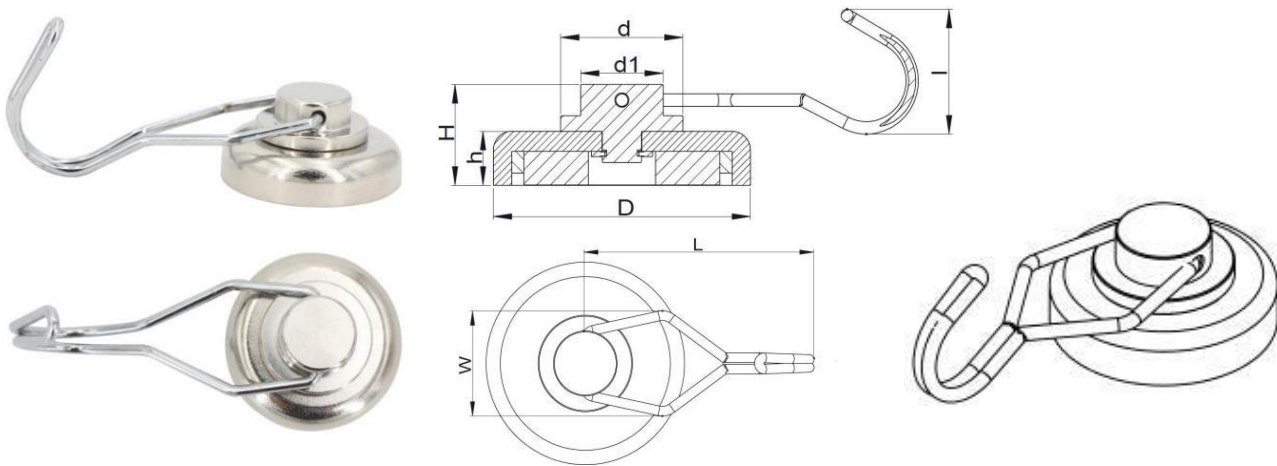
## 2. Neodymium hook magnet, with eyelet hook, nickel coating



# Hook Magnet

| Model     | D(mm) | d(mm) | M   | h(mm) | h1(mm) | H(mm) | Weight(g) | Breakaway(kg) |
|-----------|-------|-------|-----|-------|--------|-------|-----------|---------------|
| KM-SNF10  | 10    | 6     | M3  | 5     | 12.6   | 31.5  | 5         | 1.5           |
| KM-SNF12  | 12    | 6     | M3  | 5     | 12.6   | 31.5  | 7         | 2             |
| KM-SNF16  | 16    | 6.5   | M4  | 5     | 13.5   | 35.7  | 12        | 8             |
| KM-SNF20  | 20    | 6.5   | M4  | 7     | 15     | 37.8  | 21        | 12            |
| KM-SNF25  | 25    | 7.5   | M5  | 8     | 17     | 44.9  | 33        | 25            |
| KM-SNF32  | 32    | 10    | M6  | 8     | 18     | 47.8  | 54        | 34            |
| KM-SNF36  | 36    | 10    | M6  | 8     | 18.5   | 49.8  | 64        | 50            |
| KM-SNF42  | 42    | 10    | M6  | 8.6   | 18.8   | 50    | 93        | 72            |
| KM-LNF48  | 48    | 12    | M8  | 11    | 24     | 61    | 150       | 81            |
| KM-LNF55  | 55    | 12    | M8  | 12    | 28     | 63    | 231       | 95            |
| KM-LNF60  | 60    | 12    | M8  | 15    | 28     | 66    | 283       | 160           |
| KM-LNF70  | 70    | 17    | M10 | 17    | 34     | 84    | 531       | 200           |
| KM-LNF75  | 75    | 17    | M10 | 18    | 35     | 85    | 555       | 270           |
| KM-LNF80  | 80    | 17    | M10 | 18    | 35     | 85    | 744       | 300           |
| KM-LNF90  | 90    | 17    | M10 | 18    | 35     | 85    | 904       | 360           |
| KM-LNF120 | 120   | 22    | M12 | 18    | 40     | 90    | 1520      | 480           |

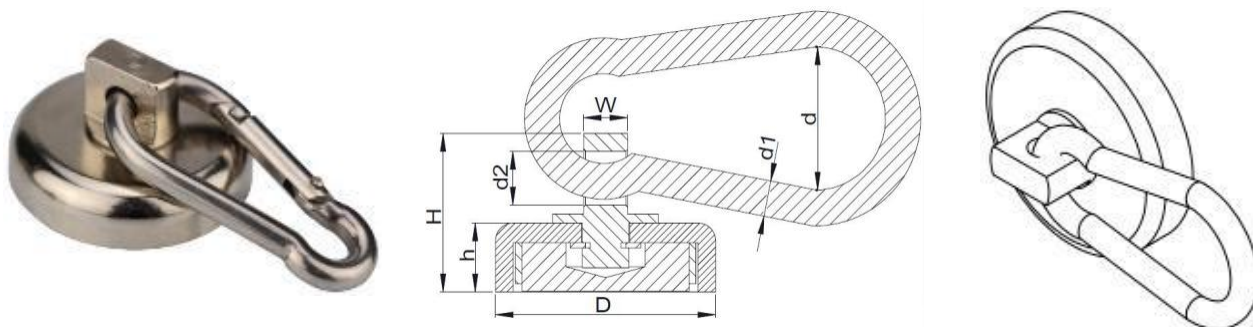
### 3. Neodymium hook magnet, with swivel hook, nickel coating



| Model    | D(mm) | d(mm) | d1(mm) | h(mm) | H(mm) | L(mm) | W(mm) | l(mm) | Weight(g) | Vertical Breakaway (Kg) | Side Breakaway (kg) |
|----------|-------|-------|--------|-------|-------|-------|-------|-------|-----------|-------------------------|---------------------|
| KM-SNG25 | 25    | 20    | 13.5   | 8     | 15.5  | 55    | 23    | 24    | 38        | 17                      | 3.5                 |
| KM-SNG32 | 32    | 20    | 13.5   | 8     | 15.5  | 55    | 23    | 24    | 52        | 30                      | 5.5                 |
| KM-SNG36 | 36    | 20    | 13.5   | 8     | 15.1  | 55    | 23    | 24    | 65        | 40                      | 6.5                 |
| KM-SNG42 | 42    | 20    | 13.5   | 8.6   | 16.5  | 55    | 23    | 24    | 92        | 60                      | 8                   |

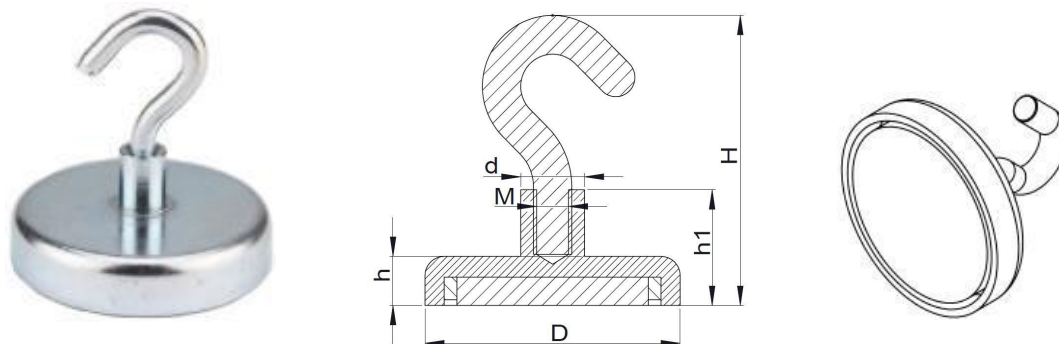
# Hook Magnet

## 4. Neodymium hook magnet, with carabiner-rotation, nickel coating



| Model    | D(mm) | d(mm) | d1 (mm) | d2 (mm) | W(mm) | H(mm) | h (mm) | Weight(g) | Breakaway(kg) |
|----------|-------|-------|---------|---------|-------|-------|--------|-----------|---------------|
| KM-SNL25 | 25    | 12    | 4       | 5       | 5     | 17.7  | 8      | 30        | 17            |
| KM-SNL32 | 32    | 12    | 4       | 5       | 5     | 17.6  | 8      | 47        | 28            |
| KM-SNL36 | 36    | 15    | 5       | 5       | 5     | 17.8  | 8      | 59        | 35            |

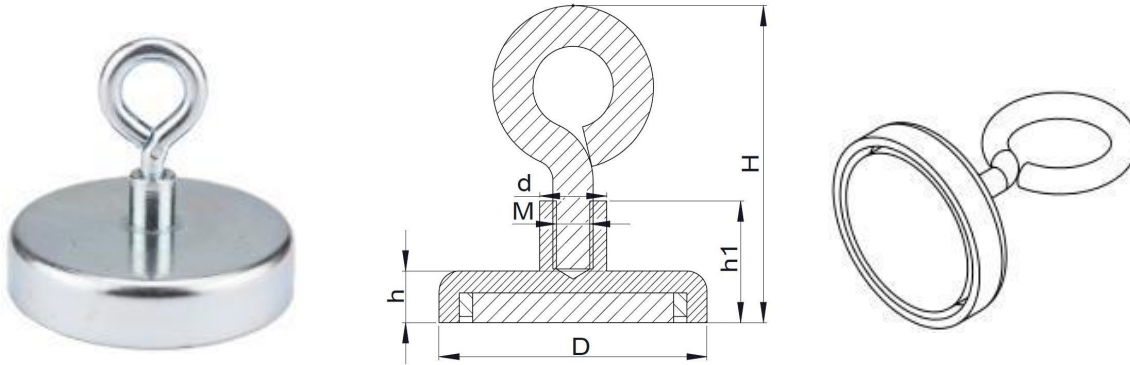
## 5. Ferrite hook magnet, with hook, zinc coating



| Model    | D(mm) | d(mm) | M  | h(mm) | h1(mm) | H(mm) | Weight(g) | Breakaway(kg) |
|----------|-------|-------|----|-------|--------|-------|-----------|---------------|
| KM-SFE25 | 25    | 6.5   | M4 | 7     | 15.6   | 38.6  | 25        | 4.5           |
| KM-SFE32 | 32    | 6.5   | M4 | 7     | 15     | 38    | 34        | 8.5           |
| KM-SFE36 | 36    | 6.5   | M4 | 8     | 16     | 39    | 48        | 11            |
| KM-SFE40 | 40    | 7.5   | M5 | 8     | 18     | 46    | 58        | 13            |
| KM-SFE47 | 47    | 7.5   | M5 | 9     | 18.5   | 46.5  | 88        | 18            |
| KM-SFE50 | 50    | 7.5   | M5 | 10    | 20     | 48    | 109       | 23            |
| KM-SFE57 | 57    | 7.5   | M5 | 10.5  | 20     | 48    | 148       | 29            |
| KM-SFE63 | 63    | 10    | M6 | 14    | 25.5   | 56.8  | 220       | 36            |
| KM-SFE80 | 80    | 10    | M8 | 18    | 30.5   | 67.5  | 430       | 62            |

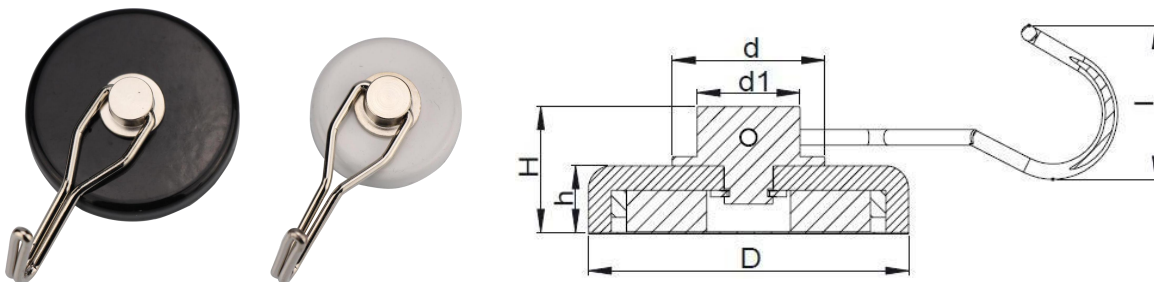
# Hook Magnet

## 6. Ferrite hook magnet, with hook, zinc coating



| Model    | D(mm) | d(mm) | M  | h(mm) | h1(mm) | H(mm) | Weight(g) | Breakaway(kg) |
|----------|-------|-------|----|-------|--------|-------|-----------|---------------|
| KM-SFE25 | 25    | 6.5   | M4 | 7     | 15.6   | 38.6  | 25        | 4.5           |
| KM-SFE32 | 32    | 6.5   | M4 | 7     | 15     | 38    | 34        | 8.5           |
| KM-SFE36 | 36    | 6.5   | M4 | 8     | 16     | 39    | 48        | 11            |
| KM-SFE40 | 40    | 7.5   | M5 | 8     | 18     | 46    | 58        | 13            |
| KM-SFE47 | 47    | 7.5   | M5 | 9     | 18.5   | 46.5  | 88        | 18            |
| KM-SFE50 | 50    | 7.5   | M5 | 10    | 20     | 48    | 109       | 23            |
| KM-SFE57 | 57    | 7.5   | M5 | 10.5  | 20     | 48    | 148       | 29            |
| KM-SFE63 | 63    | 10    | M6 | 14    | 25.5   | 56.8  | 220       | 36            |
| KM-SFE80 | 80    | 10    | M8 | 18    | 30.5   | 67.5  | 430       | 62            |

## 7. Ferrite hook magnet, with swivel hook, powder coating



| Model    | D(mm) | d(mm) | d1(mm) | H(mm) | h(mm) | l(mm) | Weight(g) | Vertical Breakaway (Kg) | Side Breakaway (kg) |
|----------|-------|-------|--------|-------|-------|-------|-----------|-------------------------|---------------------|
| KM-SFG36 | 36    | 16    | 10.8   | 14.5  | 8.3   | 20    | 50        | 4.2                     | 1.7                 |
| KM-SFG52 | 52    | 16    | 10.8   | 14.5  | 8.3   | 20    | 80        | 7.4                     | 2.5                 |